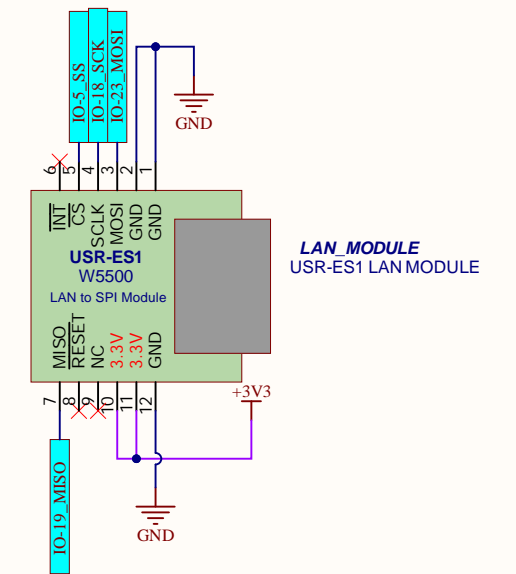
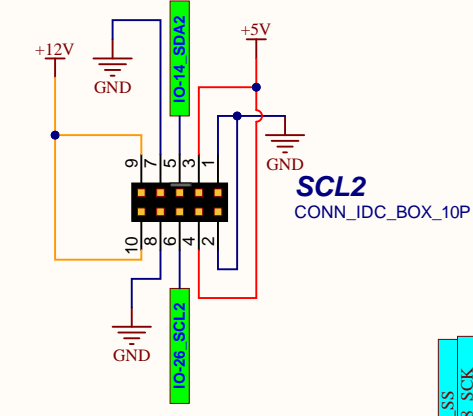
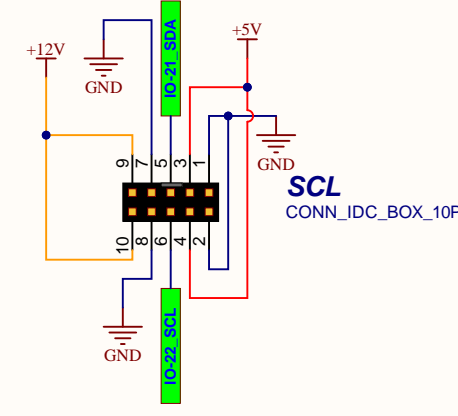
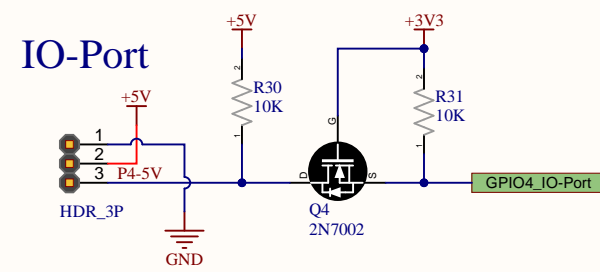
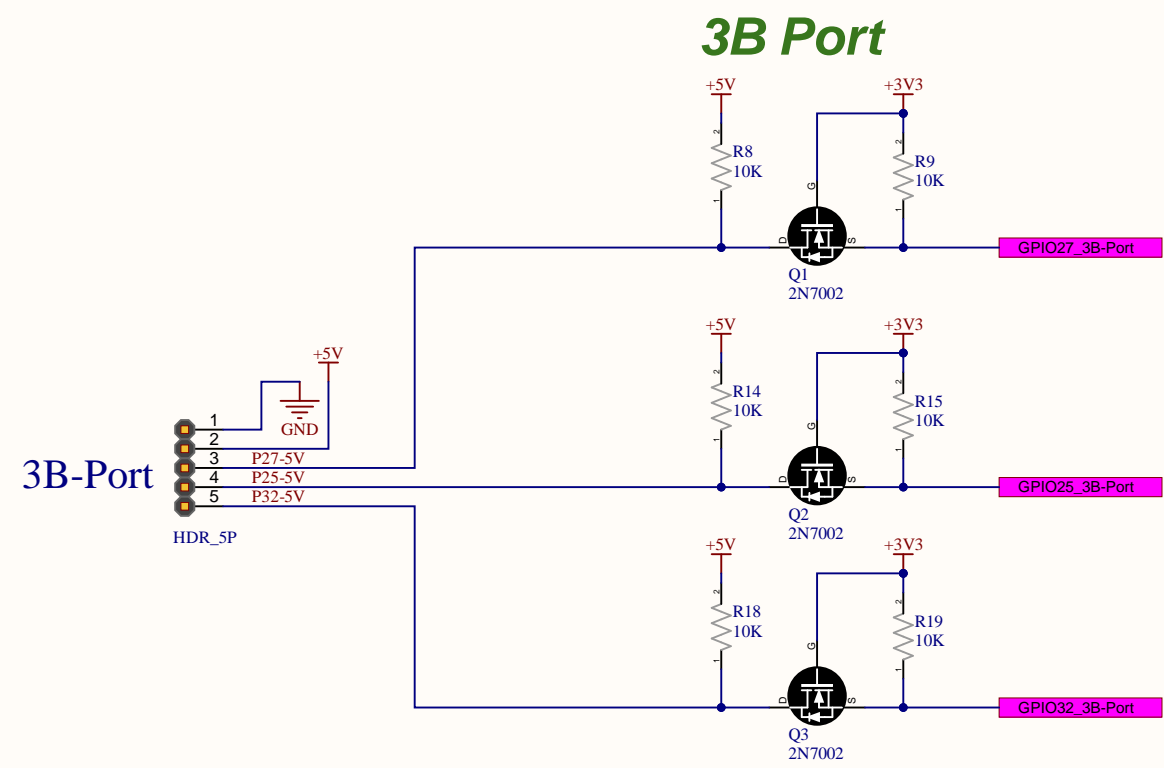
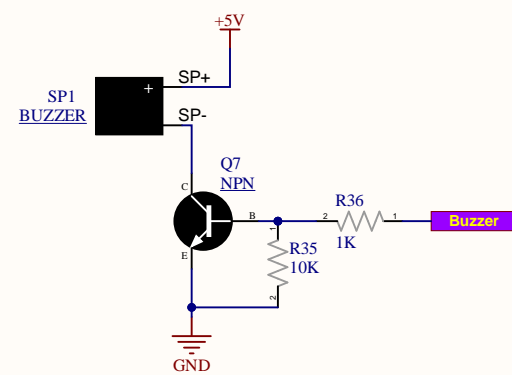


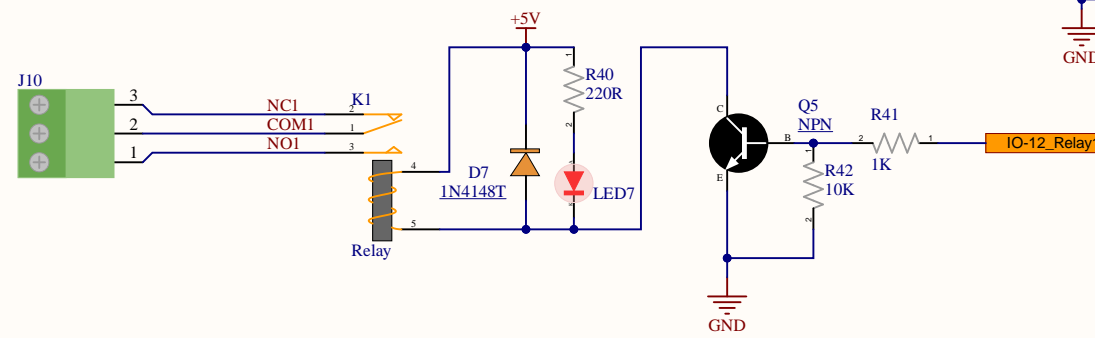
ABOX-X3



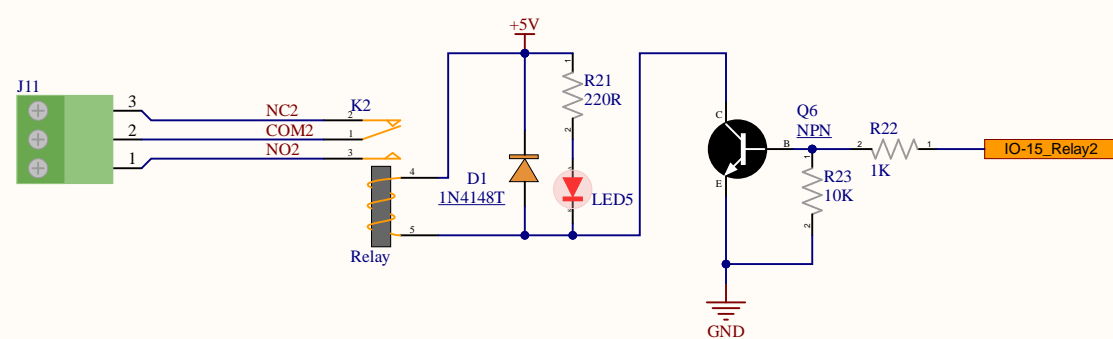
BUZZER



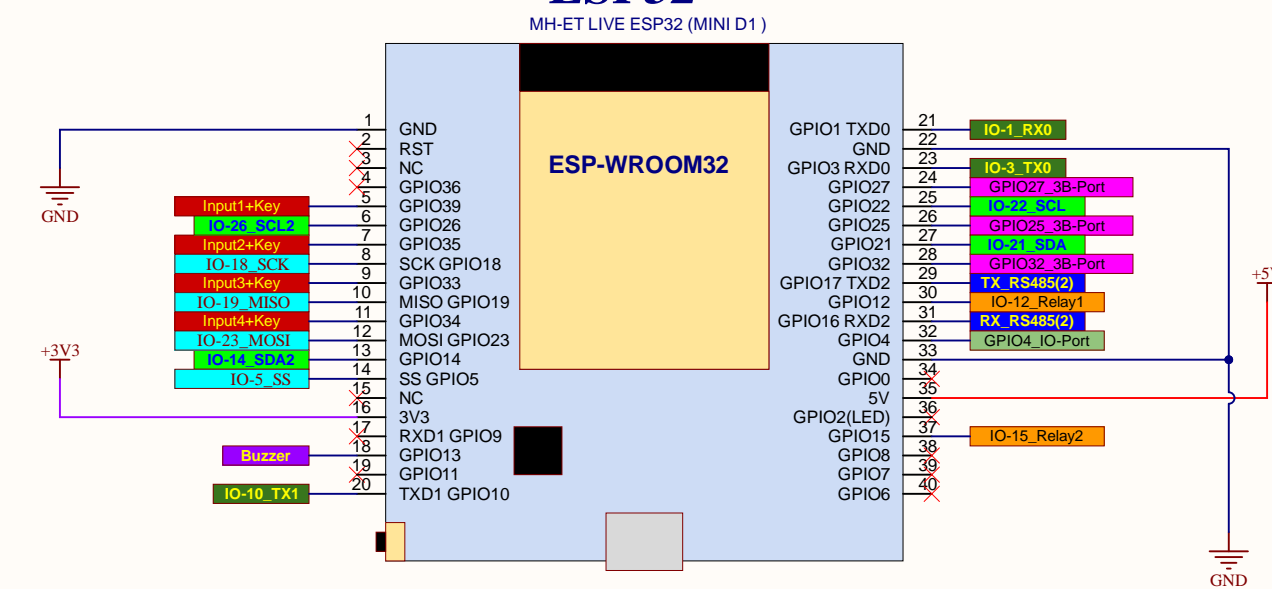
Relay Driver



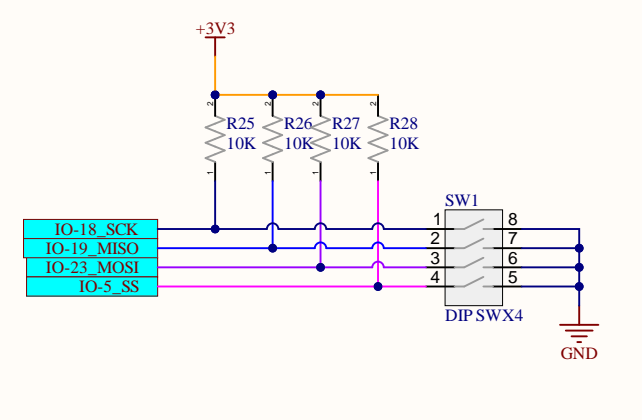
Relay Driver



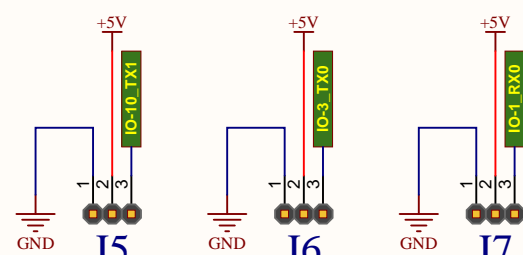
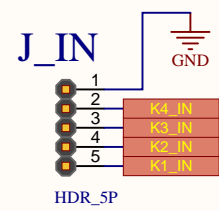
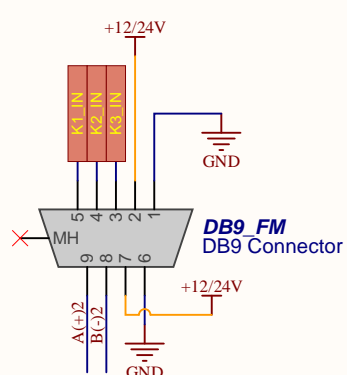
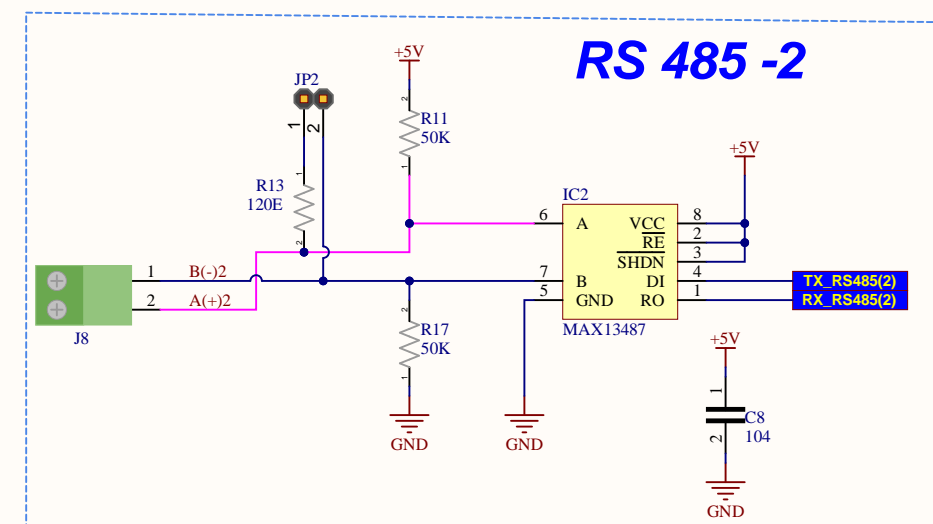
ESP32



DIP SWITCH

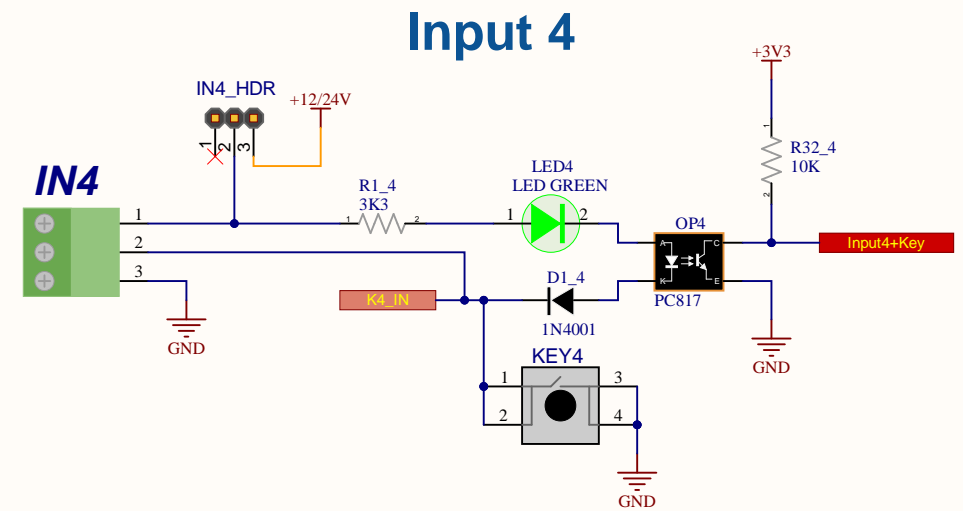
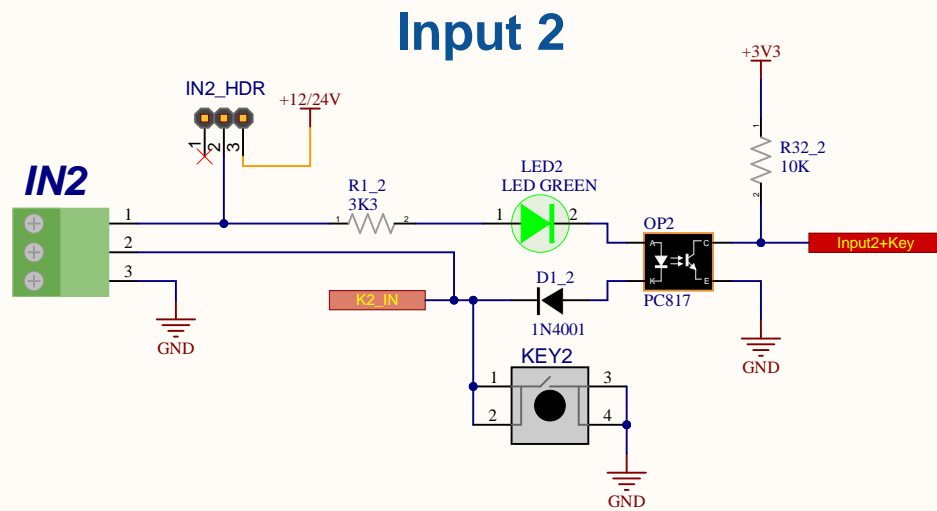
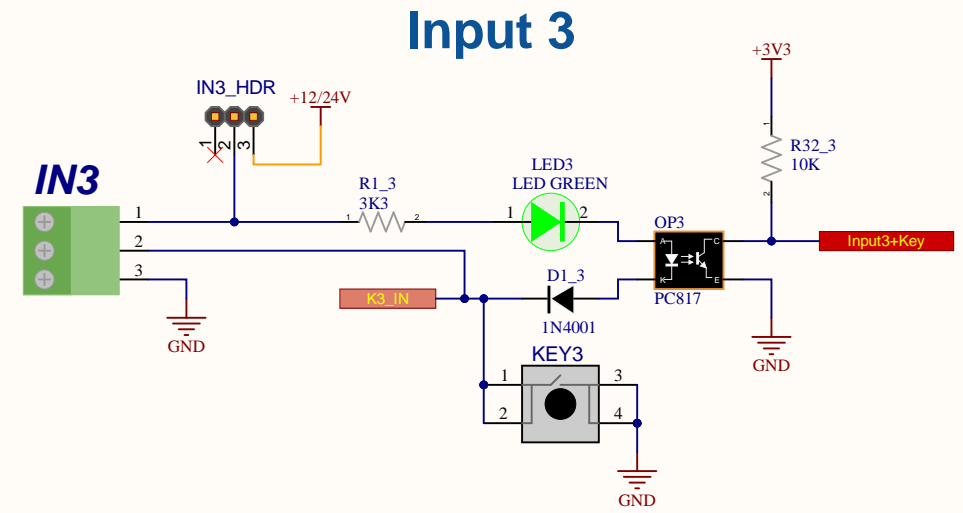
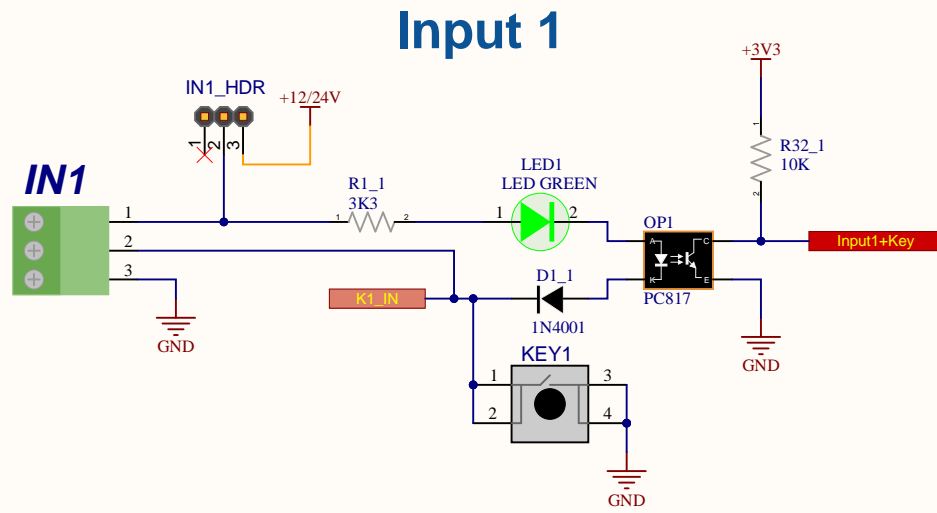


RS 485 -2

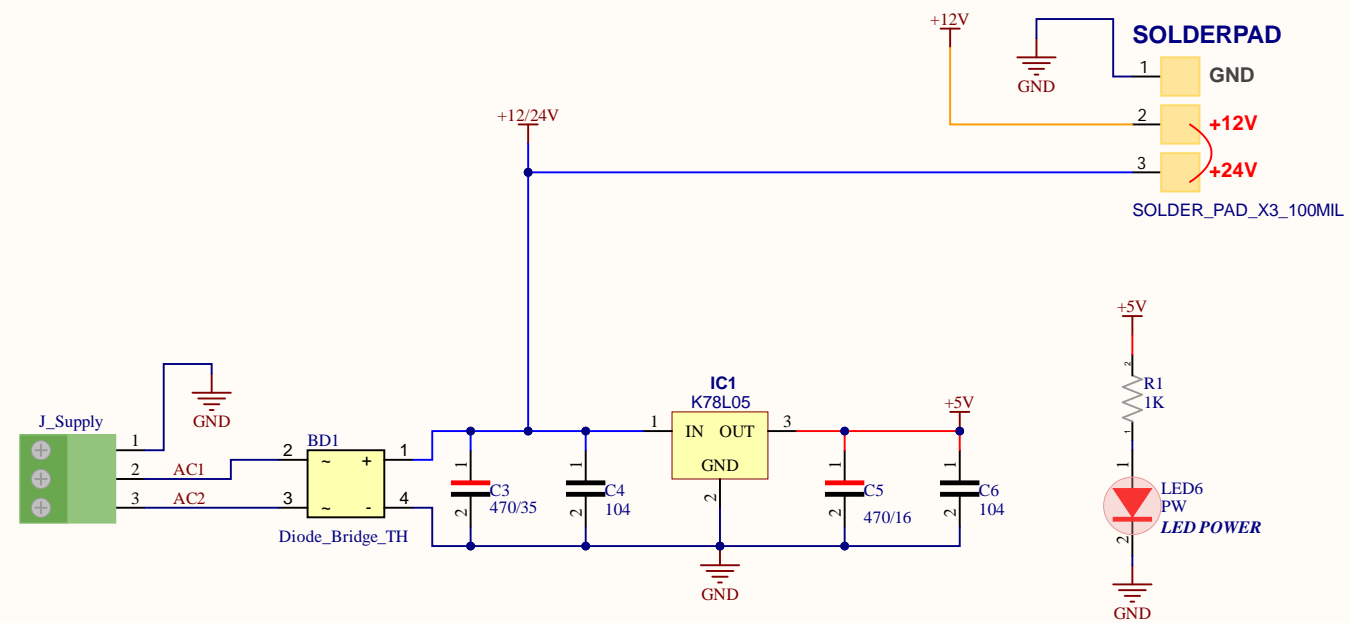


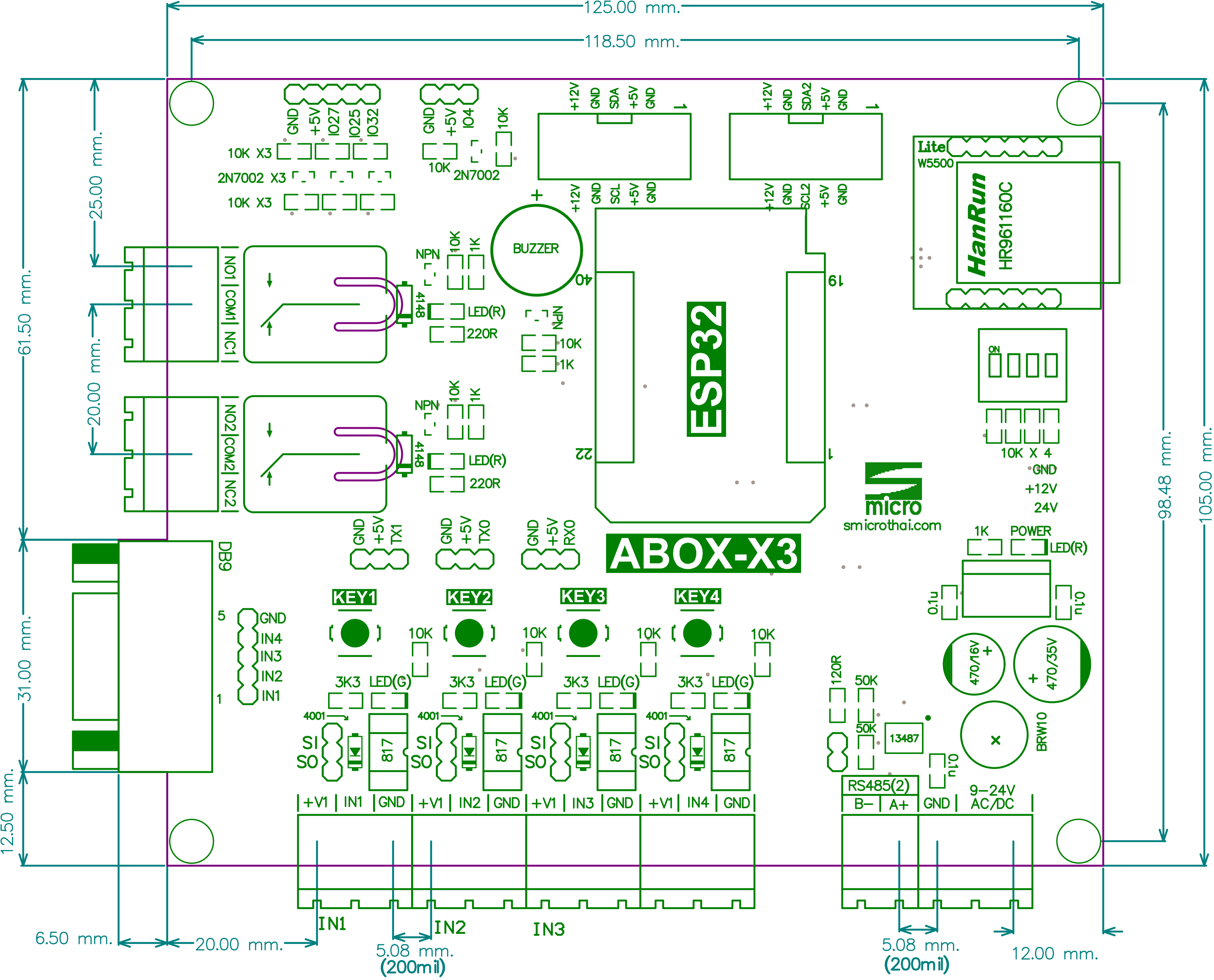
- H1
- M3_Hole H2
- M3_Hole H3
- M3_Hole H4
- M3_Hole

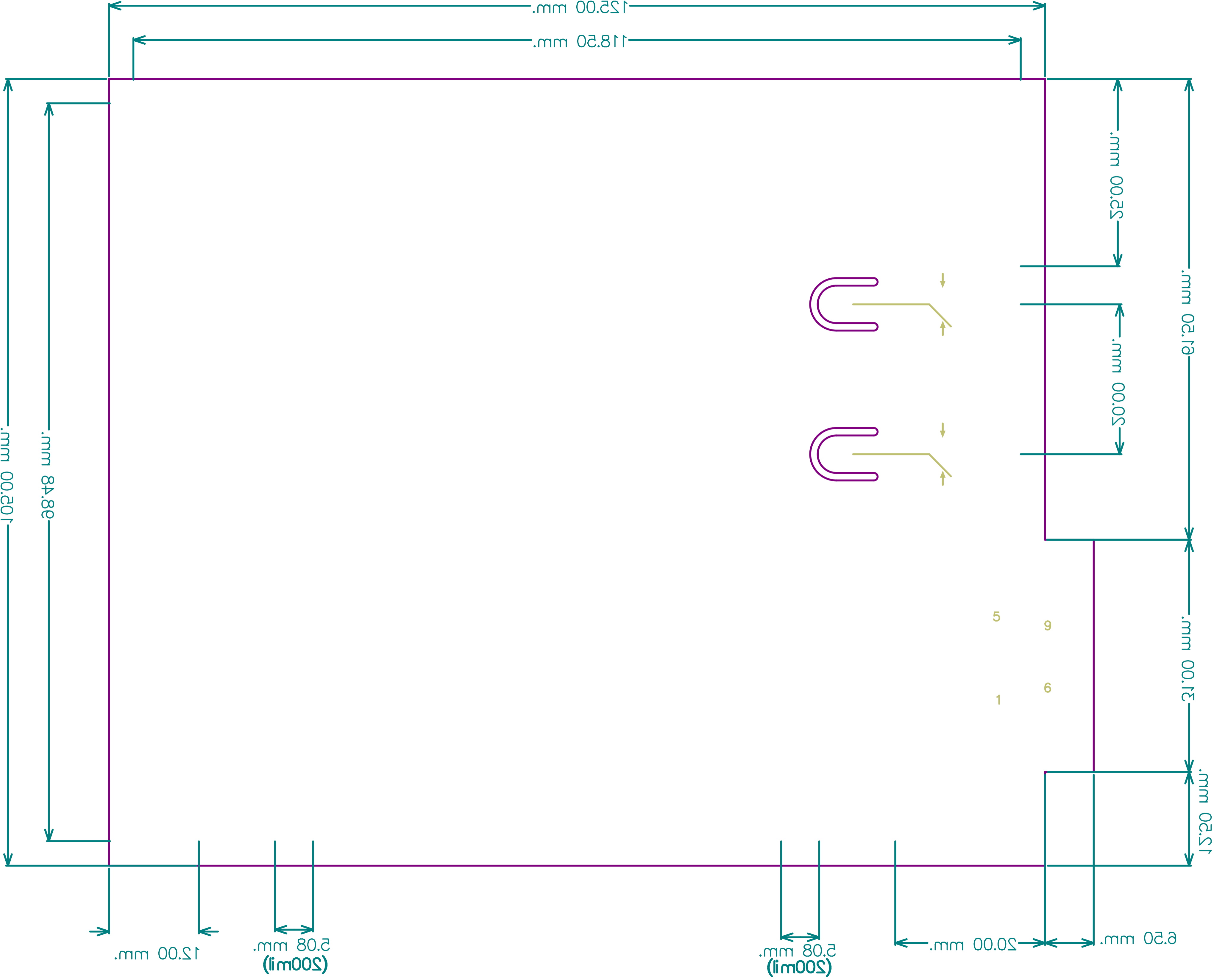
IN1- IN4

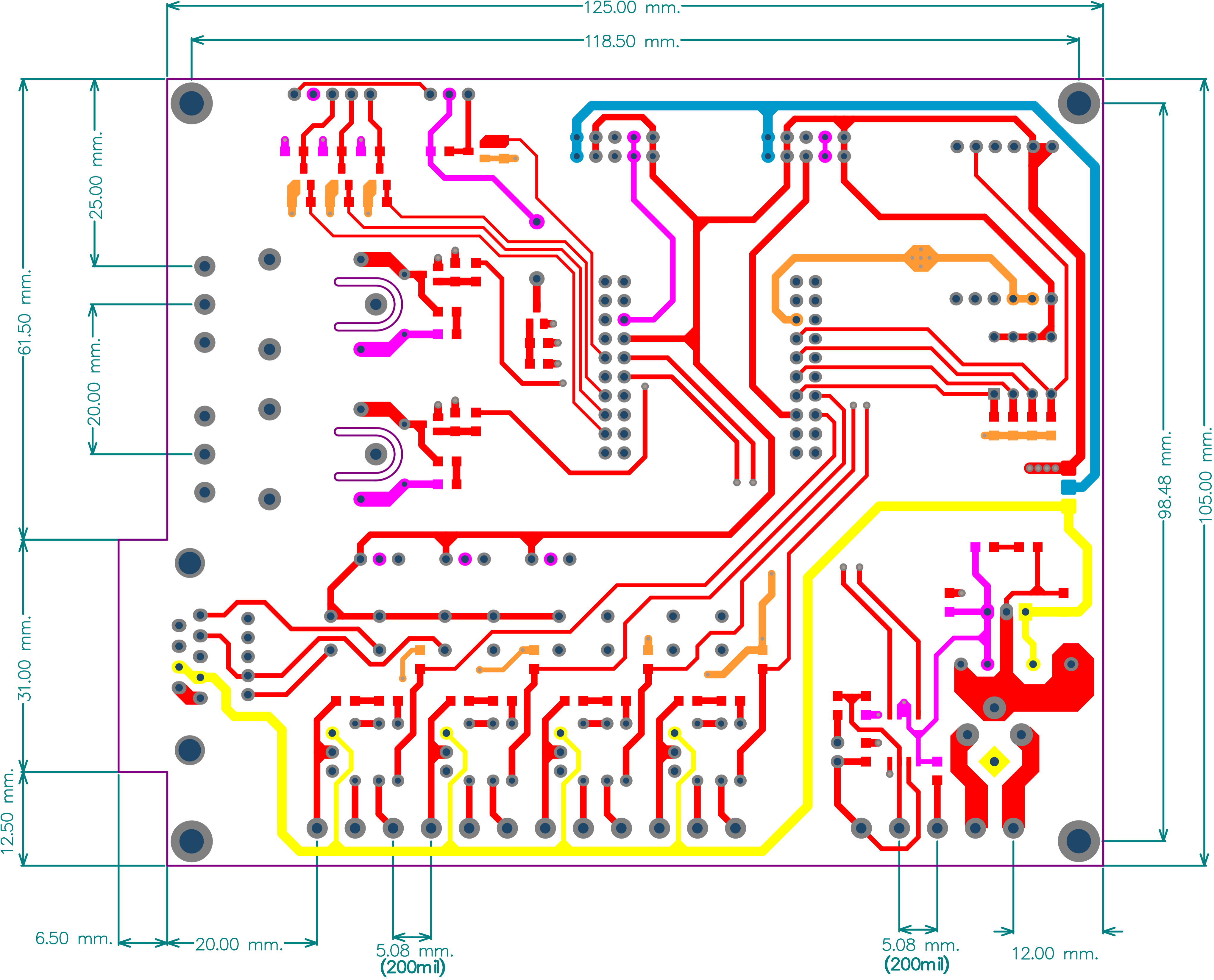


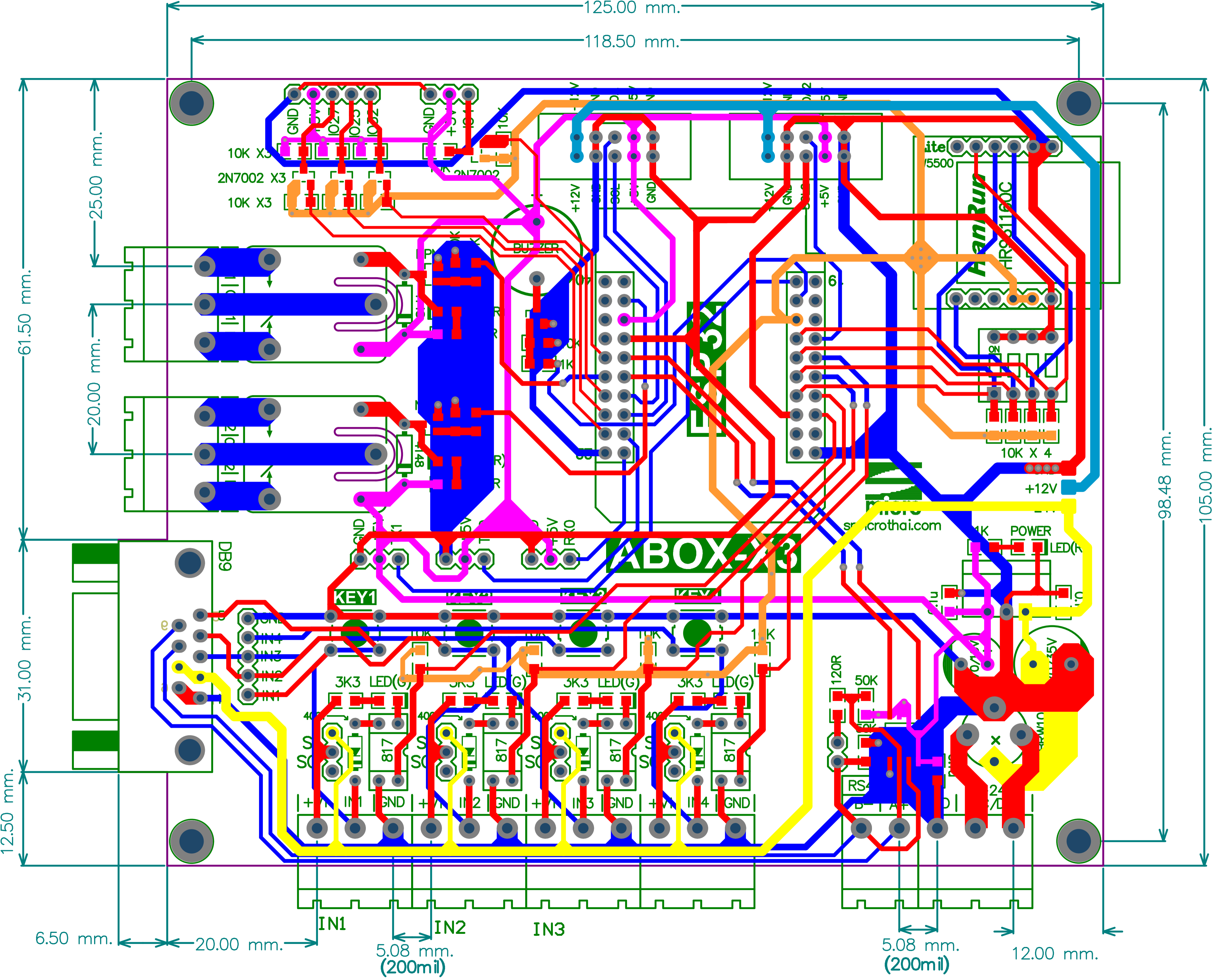
POWER Supply











125.00 mm.

118.50 mm.

61.50 mm.

25.00 mm.

20.00 mm.

31.00 mm.

12.50 mm.

98.48 mm.

105.00 mm.

6.50 mm.

20.00 mm.

5.08 mm.
(200mil)

IN3

5.08 mm.
(200mil)

12.00 mm.

ABOX-3

AVR01160C

PIC34

KEY1

KEY2

KEY3

KEY4

DB9

3K3 LED(G)

3K3 LED(G)

3K3 LED(G)

3K3 LED(G)

817

817

817

817

IN1

IN2

IN3

IN4

GND

GND

GND

GND

+5V

+5V

+5V

+5V

IN1

IN2

IN3

IN4

GND

GND

GND

GND

+5V

+5V

+5V

+5V

IN1

IN2

IN3

IN4

GND

GND

GND

GND

+5V

+5V

+5V

+5V

IN1

IN2

IN3

IN4

GND

GND

GND

GND

+5V

+5V

+5V

+5V

IN1

IN2

IN3

IN4

GND

GND

GND

GND

+5V

+5V

+5V

+5V

IN1

IN2

IN3

IN4

GND

GND

GND

GND

+5V

+5V

+5V

+5V

IN1

IN2

IN3

IN4

GND

GND

GND

GND

+5V

+5V

+5V

+5V

IN1

IN2

IN3

IN4

GND

GND

GND

GND

+5V

+5V

+5V

+5V

IN1

IN2

IN3

IN4

GND

GND

GND

GND

+5V

+5V

+5V

+5V

IN1

IN2

IN3

IN4

GND

GND

GND

GND

+5V

+5V

+5V

+5V

IN1

IN2

IN3

IN4

GND

GND

GND

GND

+5V

+5V

+5V

+5V

IN1

IN2

IN3

IN4

GND

GND

GND

GND

+5V

+5V

+5V

+5V

IN1

IN2

IN3

IN4

GND

GND

GND

GND

+5V

+5V

+5V

+5V

IN1

IN2

IN3

IN4

GND

GND

GND

GND

+5V

+5V

+5V

+5V

IN1

IN2

IN3

IN4

GND

GND

GND

GND

+5V

+5V

+5V

+5V

IN1

IN2

IN3

IN4

GND

GND

GND

GND

+5V

+5V

+5V

+5V

IN1

IN2

IN3

IN4

GND

GND

GND

GND

+5V

+5V

+5V

+5V

IN1

IN2

IN3

IN4

GND

GND

GND

GND

+5V

+5V

+5V

+5V

IN1

IN2

IN3

IN4

GND

GND

GND

GND

+5V

+5V

+5V

+5V

IN1

IN2

IN3

IN4

GND

GND

GND

GND

+5V

+5V

+5V

+5V

IN1

IN2

IN3

IN4

GND

GND

GND

GND

+5V

+5V

+5V

+5V

IN1

IN2

IN3

IN4

GND

GND

GND

GND

+5V

+5V

+5V

+5V

IN1

IN2

IN3

IN4

GND

GND

GND

GND

+5V

+5V

+5V

+5V

IN1

IN2

IN3

IN4

GND

GND

GND

GND

+5V

+5V

+5V

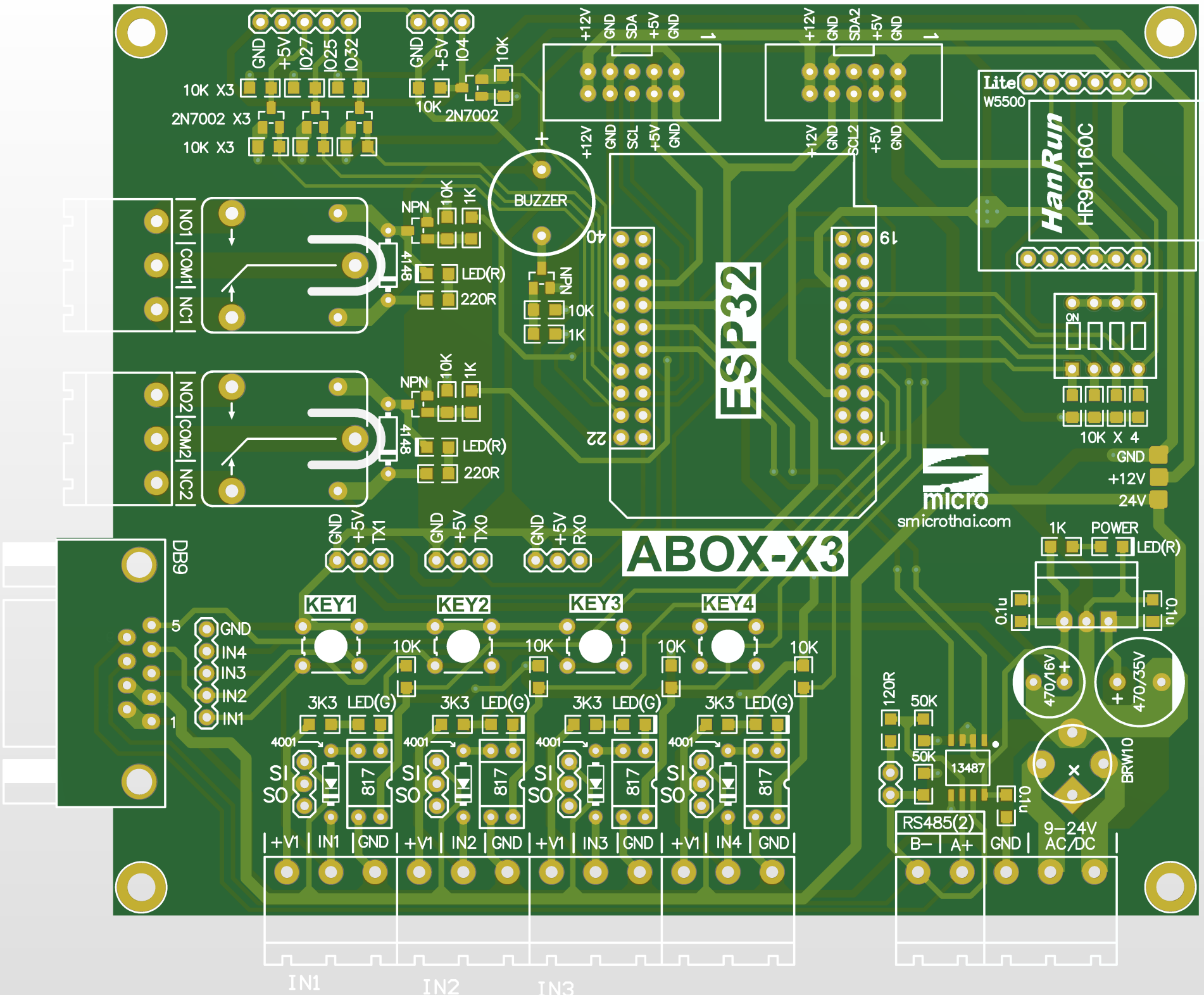
+5V

IN1

IN2

IN3

<



ESP32

ABOX-X3

HanRun
HR961160C

micro
smicrothai.com

RS485(2)
B- | A+ | GND | 9-24V AC/DC

10K X3
2N7002 X3
10K X3

10K
2N7002

+12V
GND
SCL
+5V
GND

+12V
GND
SDA2
+5V
GND

Lite
W5500

NO1 | COM1 | NC1

NO2 | COM2 | NC2

DB9

5
GND
IN4
IN3
IN2
IN1
1

KEY1

KEY2

KEY3

KEY4

3K3 LED(G)
4001
SI SO
817

+V1 | IN1 | GND | +V1 | IN2 | GND | +V1 | IN3 | GND | +V1 | IN4 | GND

IN1

IN2

IN3

BUZZER

LED(R)
220R
10K
1K

LED(R)
220R
10K
1K

NPN
10K
1K

NPN
10K
1K
LED(R)
220R

GND +5V 1X1
GND +5V TX0
GND +5V RX0

10K X 4

GND
+12V
24V

1K POWER
LED(R)

0.1u

470/16V
+

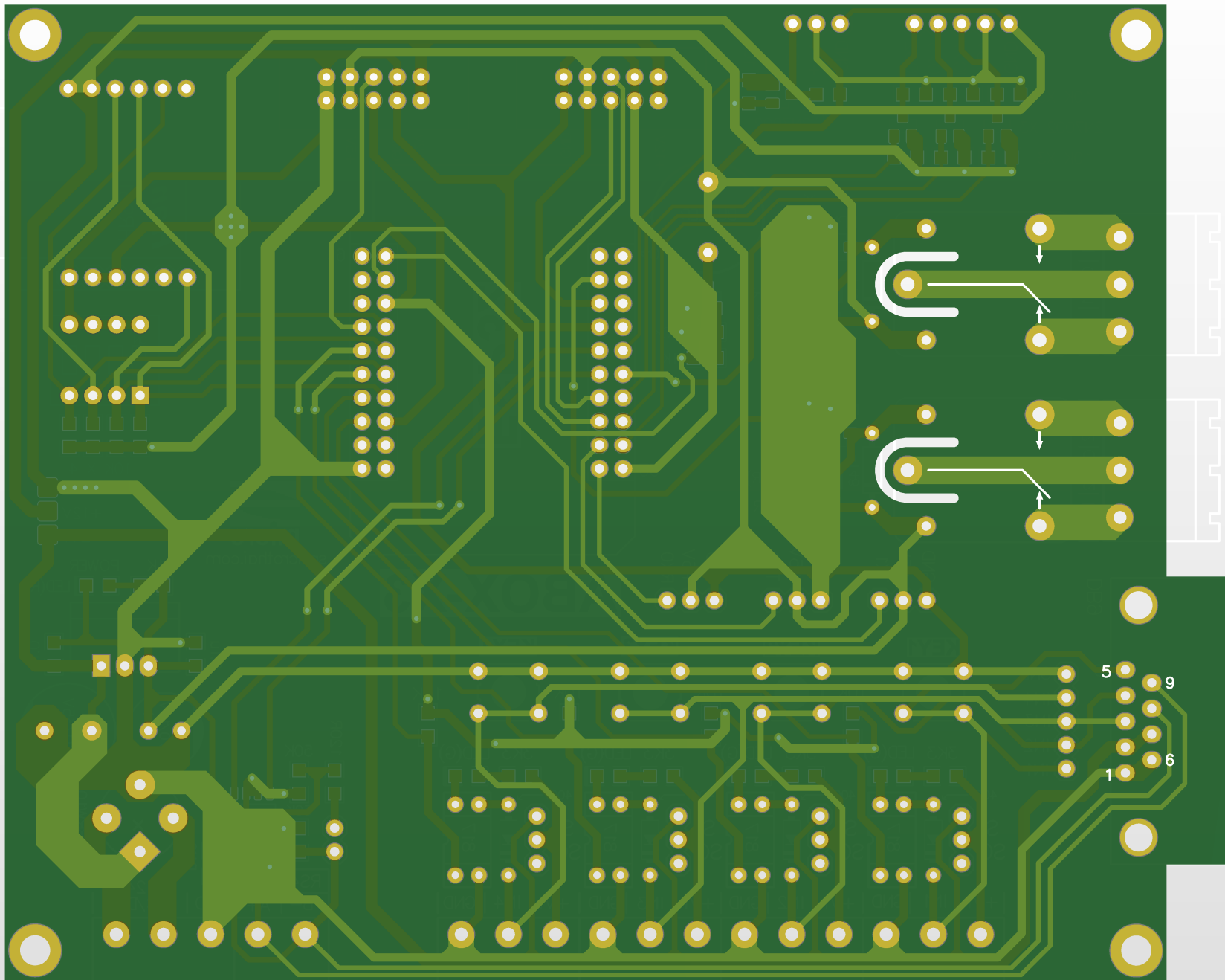
470/35V
+

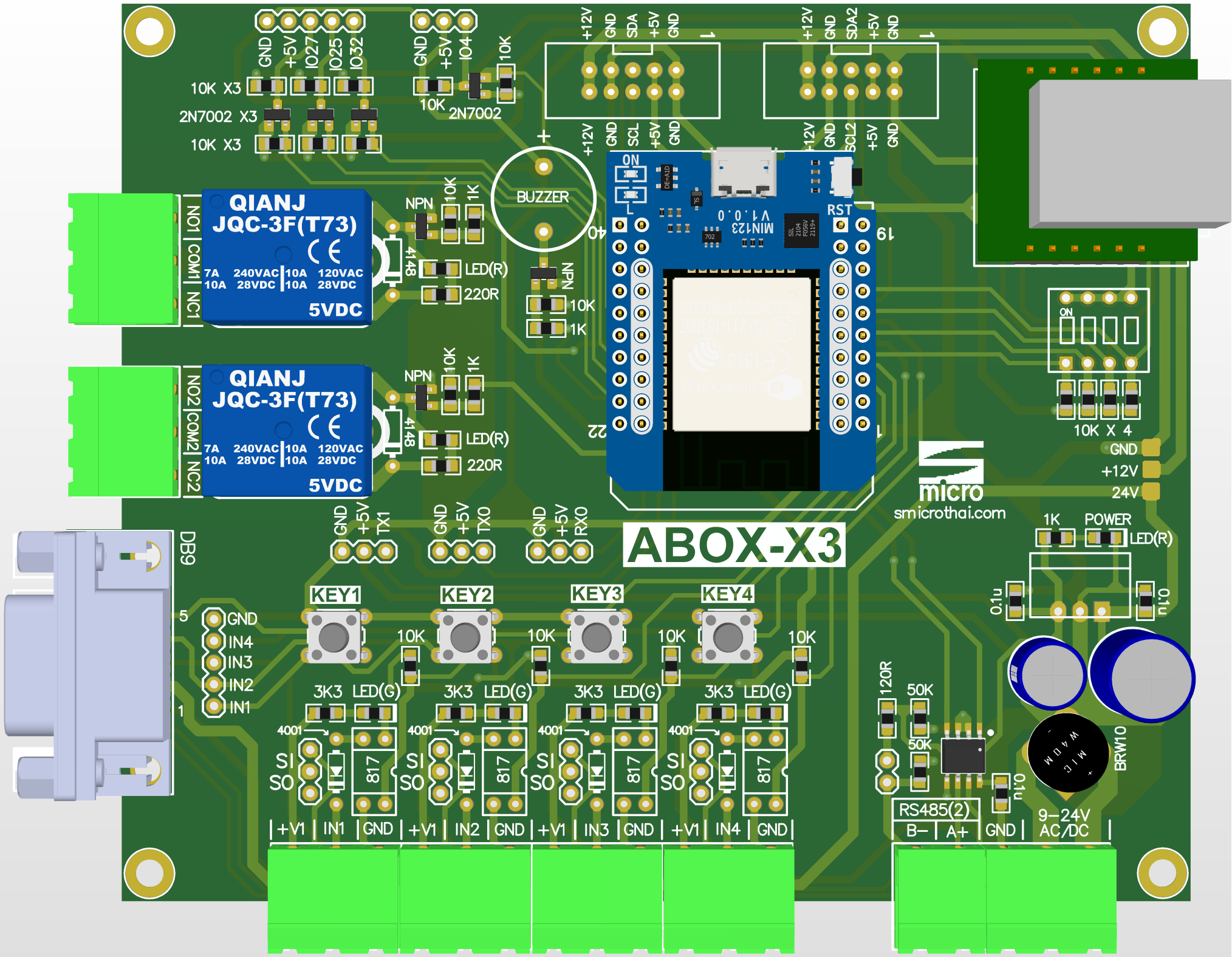
BRW10
x

120R
50K
50K

13487

0.1u



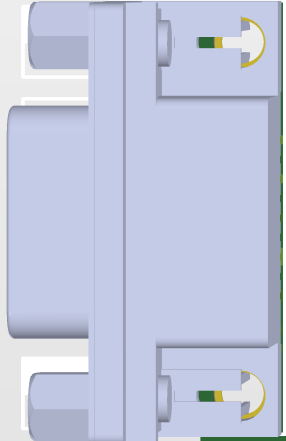


ABOX-X3



QIANJ JQC-3F(T73)
7A 240VAC | 10A 120VAC
10A 28VDC | 10A 28VDC
5VDC

QIANJ JQC-3F(T73)
7A 240VAC | 10A 120VAC
10A 28VDC | 10A 28VDC
5VDC



+V1 | IN1 | GND | +V1 | IN2 | GND | +V1 | IN3 | GND | +V1 | IN4 | GND

RS485(2)
B- | A+ | GND | 9-24V AC/DC



IN1 IN2 IN3