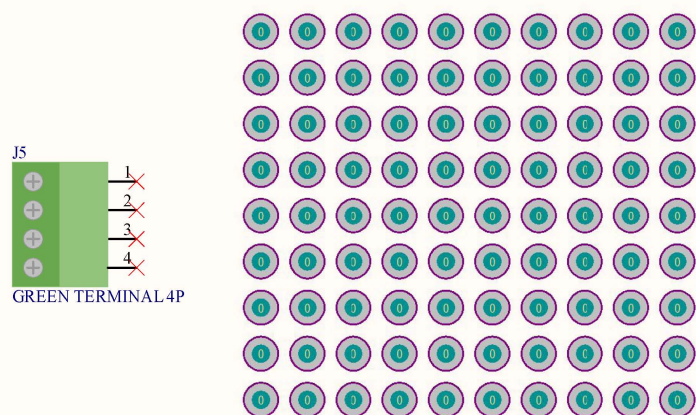
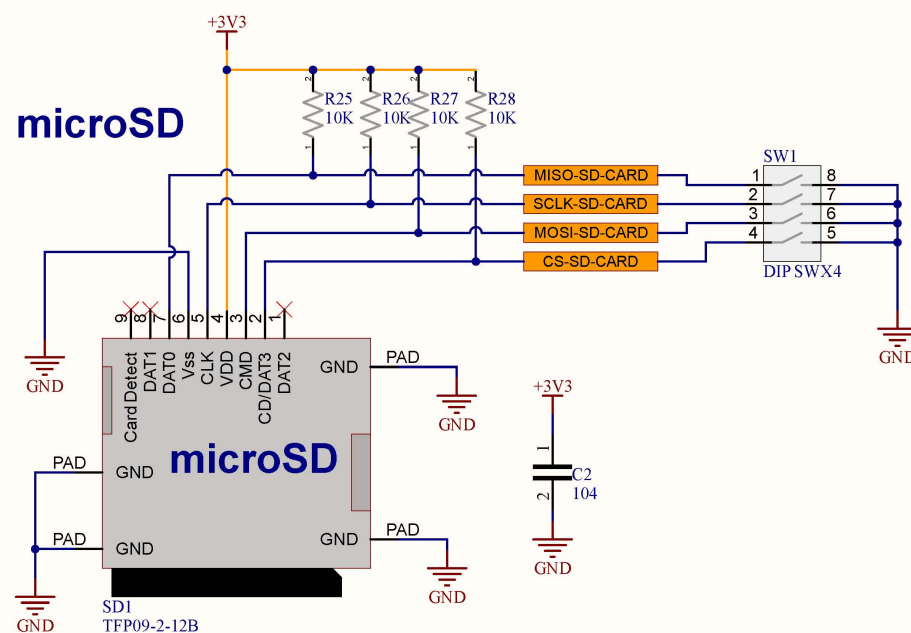


# ABOX-X1 V3

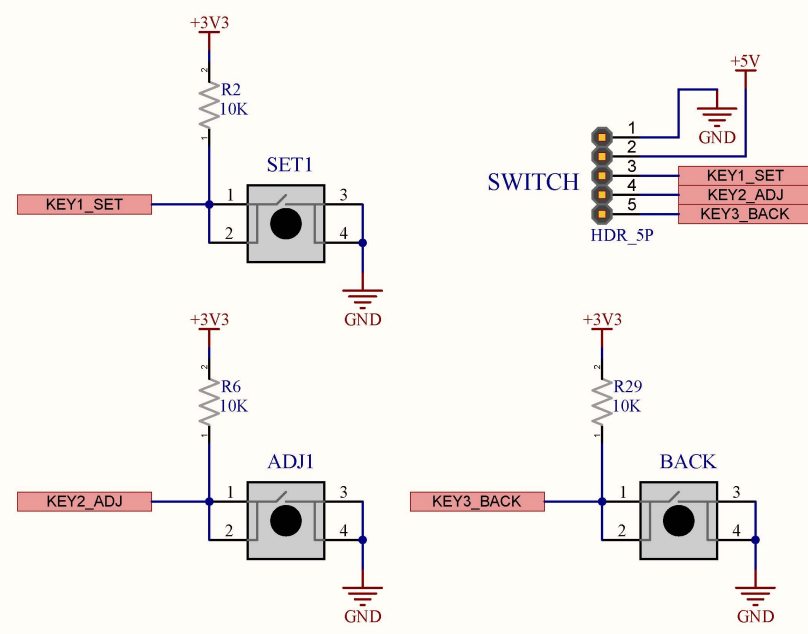
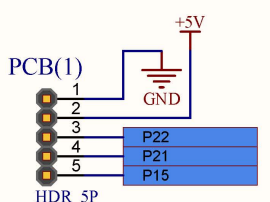
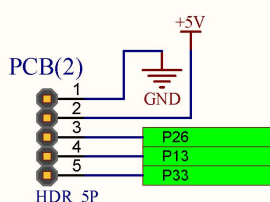
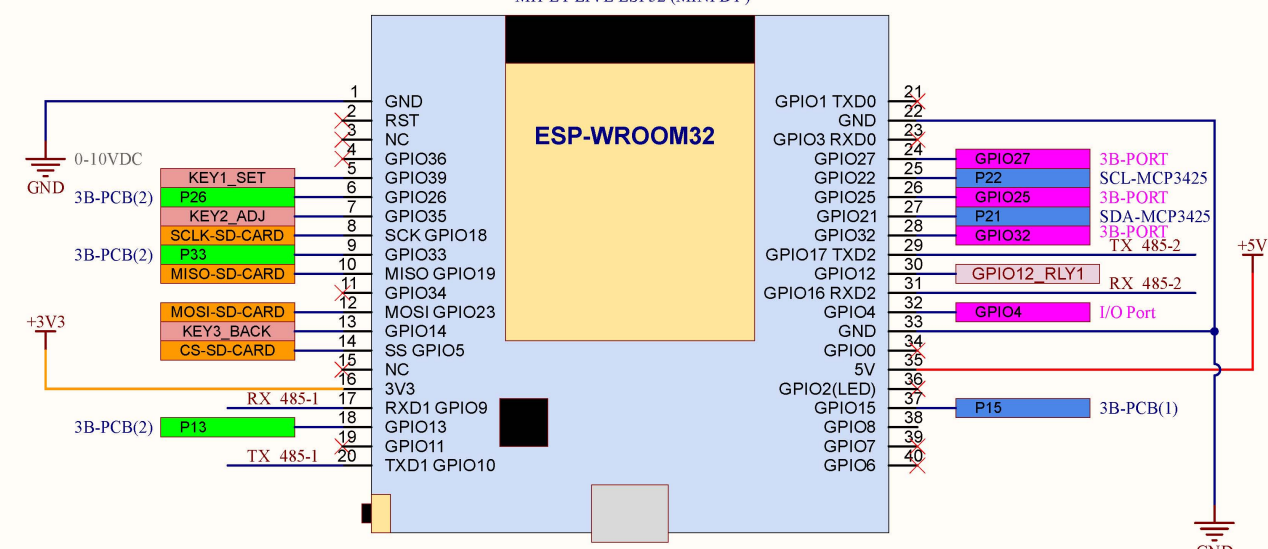
## Working PCB



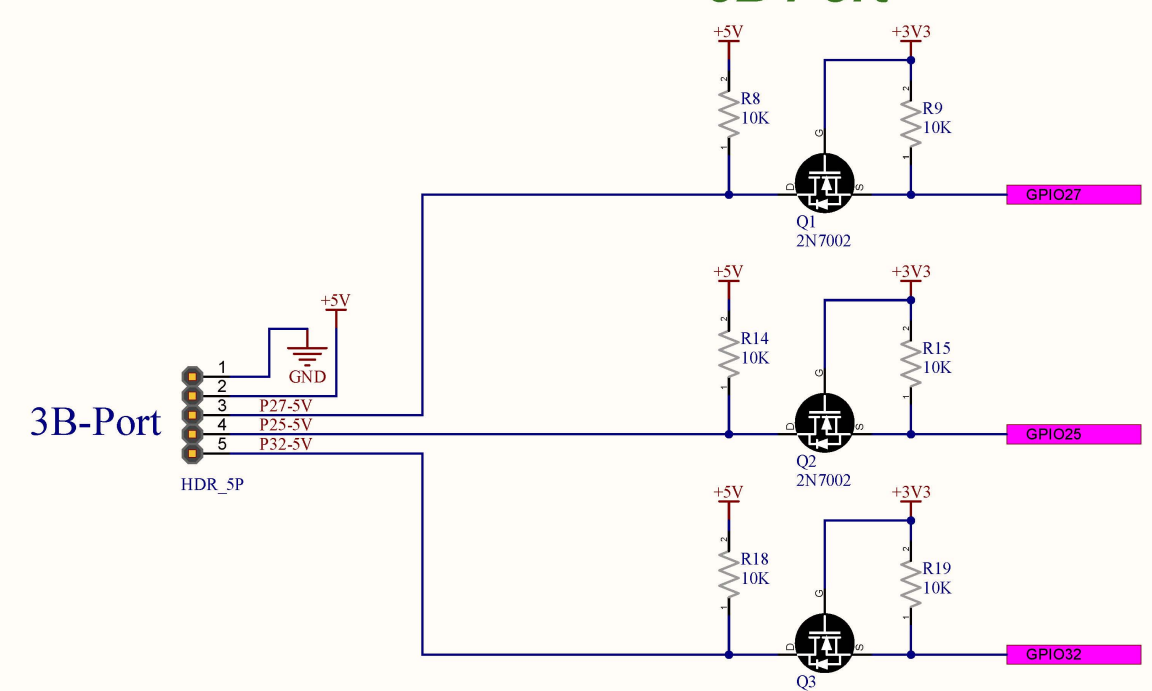
## microSD



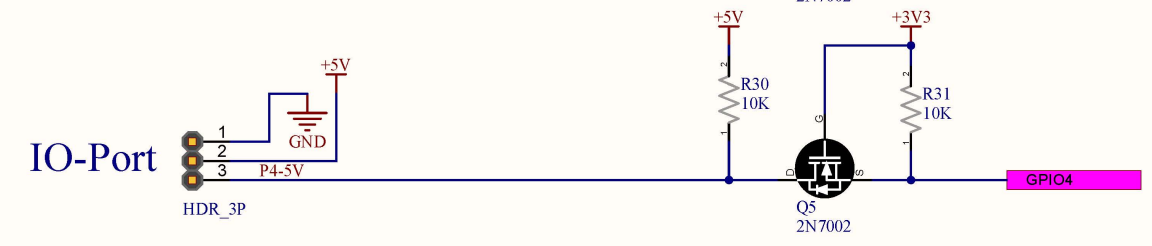
## ESP1



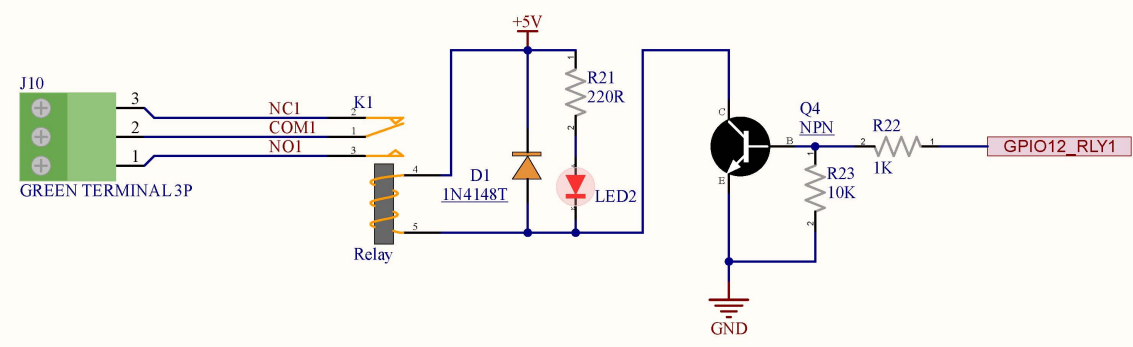
## 3B Port



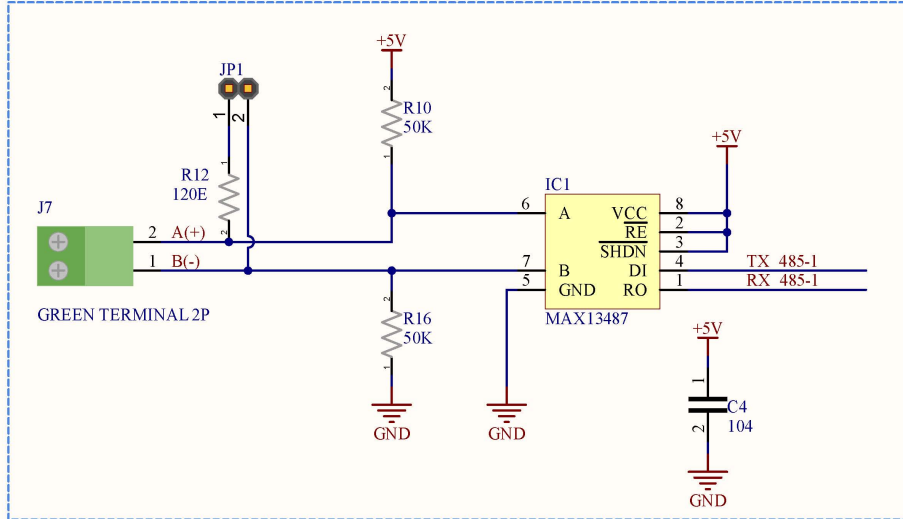
## IO-Port



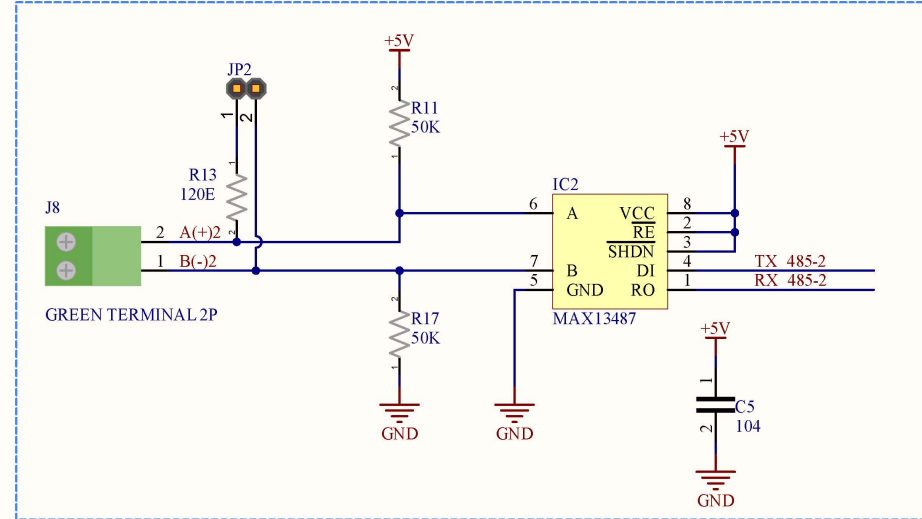
## Relay Driver



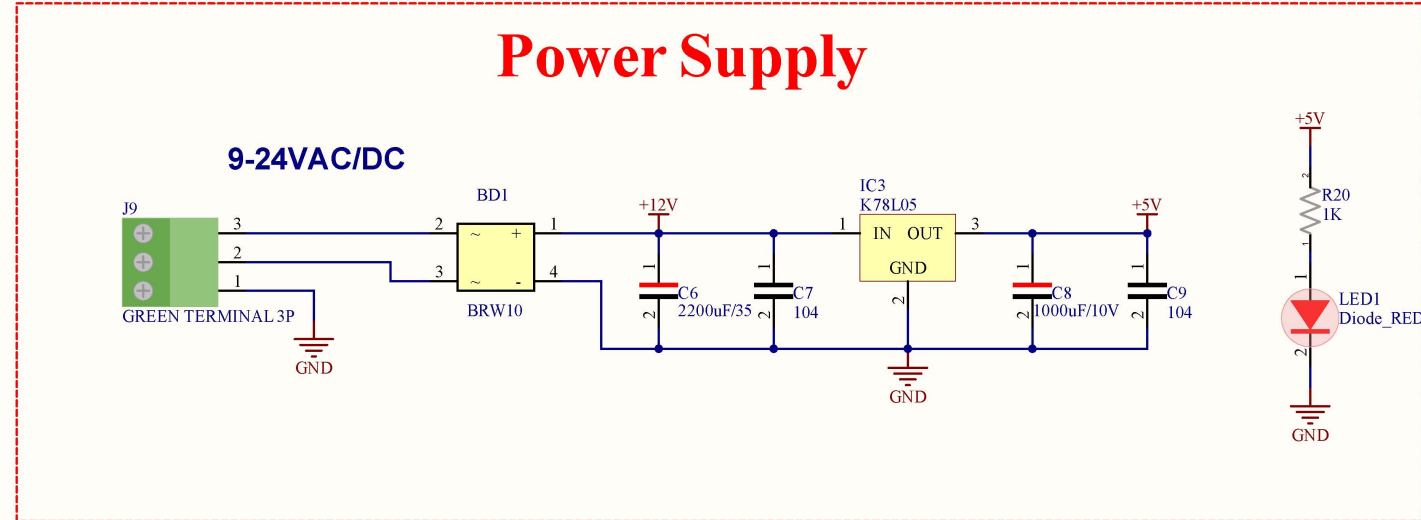
## RS 485 - 1



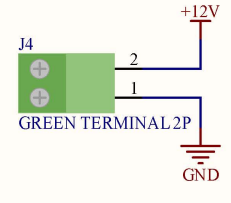
## RS 485 - 2



## Power Supply



## DCOUT



- H1
- M3\_Hole
- H2
- M3\_Hole
- H3
- M3\_Hole
- H4
- M3\_Hole

# A2D MCP3425

